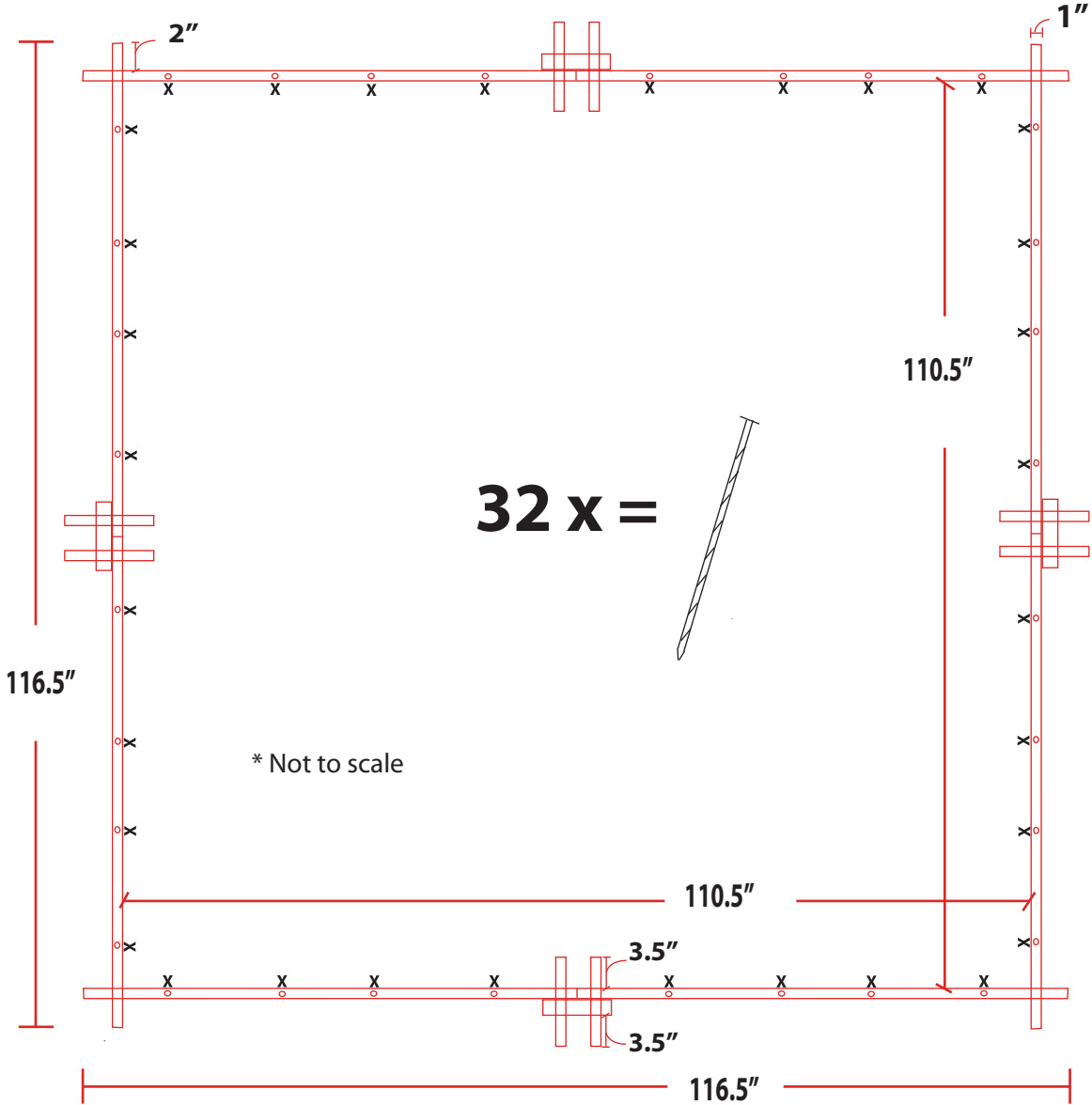


Sandbox Specification Sheet



SandLock 10x10 Sandbox Model CSG-120120

Over all Outside dimension :
116.5" x 116.5" x 10"
Over all Inside dimension:
110.5" x 110.5" x 10"

Material: High Density Polyethylene
UV Rating: High
Color Scheme: Green / Tan
Construction: Structural Blow mold
Sand Capacity: Recommended 3800Lbs

Non stock Custom Size 10' x 20' sandbox

Over all Outside dimension :
116.5" x 233" x 10"
Over all Inside dimension:
110.5" x 224" x 10"

