

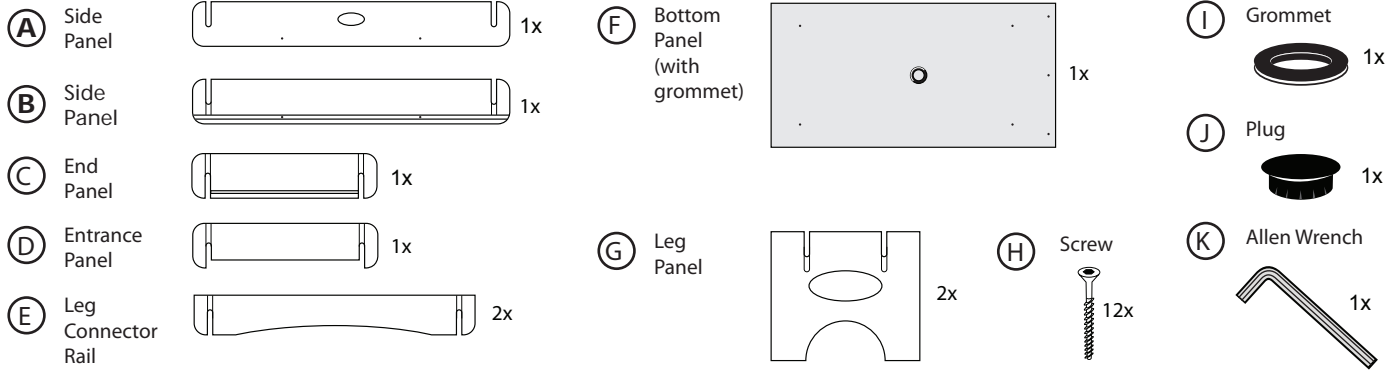
27" by 47"

SandLock Sandtable (SLT-2747)

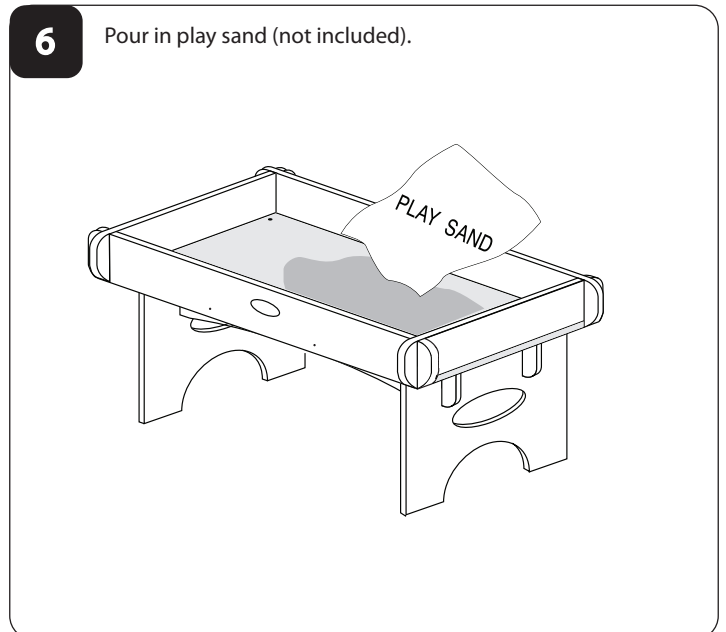
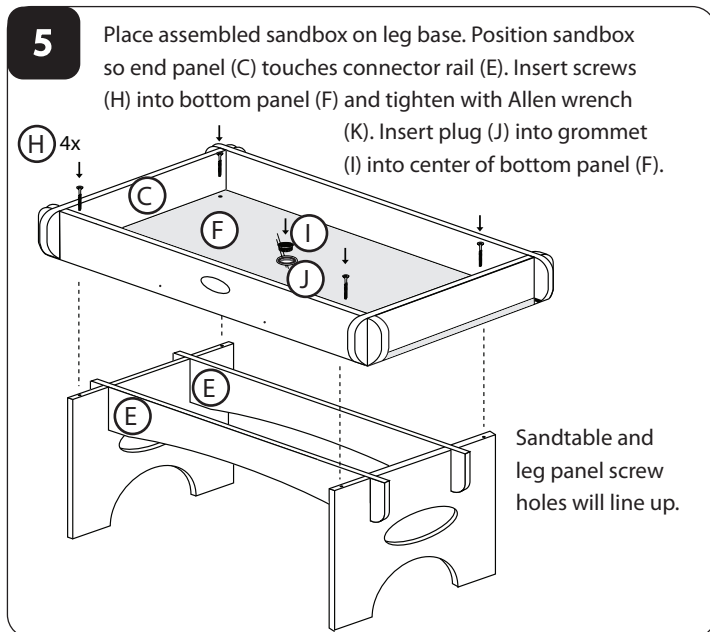
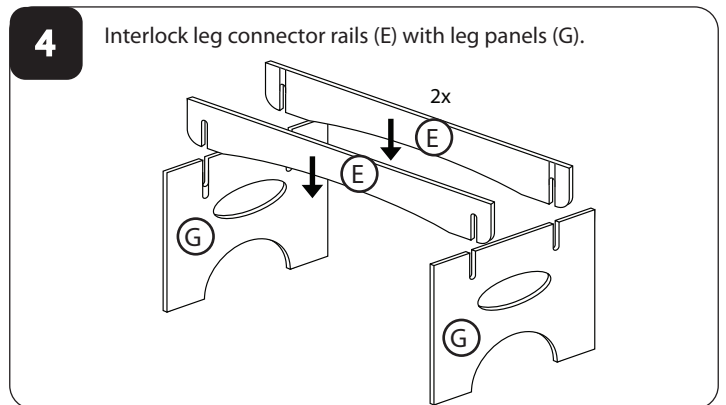
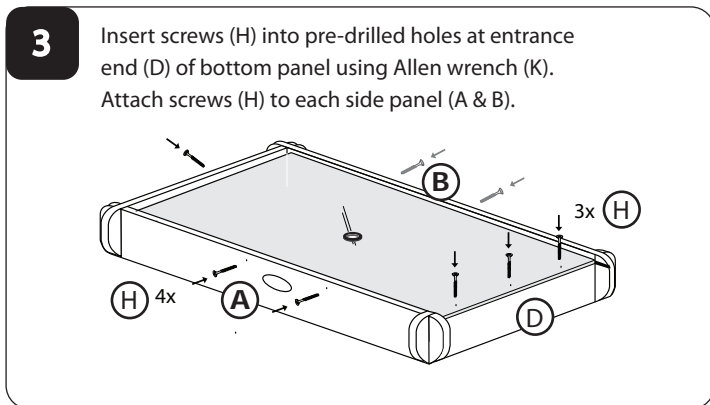
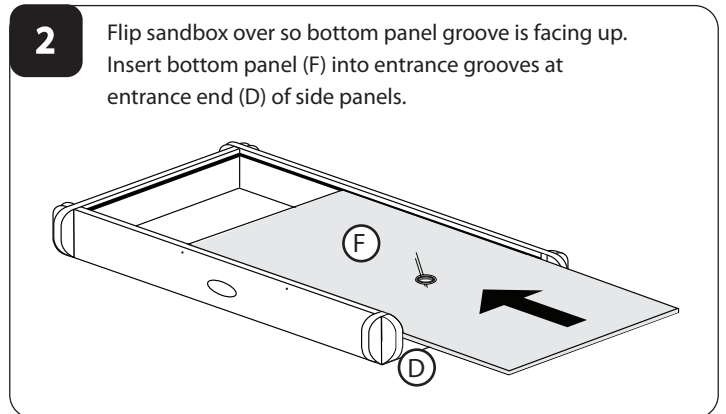
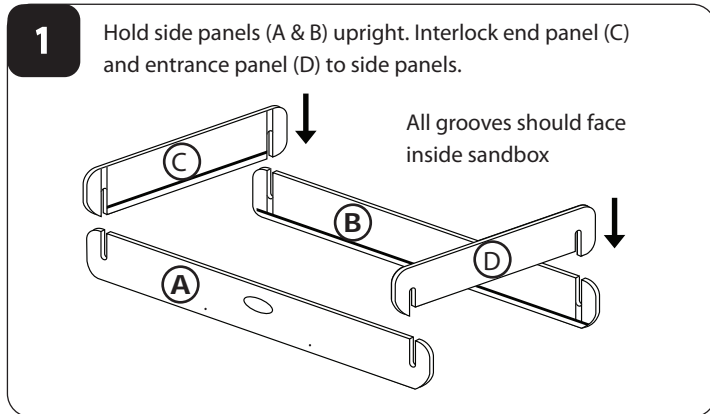


Enjoy your SandLock Sandtable!
You have chosen America's #1 sandtable. With minimal care, your sandtable will look great and provide years of safe and interactive fun.

Your SandLock Sandbox kit includes:



Assembly:



Warning: Please use caution when assembling your sandtable. Even with the simple construction, the panels are heavy. To avoid pinching, please keep your fingers clear of the intersections where the panels interlock.

Umbrella: Before adding sand, insert umbrella through center hole of bottom panel. Remove plug from grommet area and insert umbrella with slight twisting motion through grommet hole. SandLock Umbrella sold separately.

Waterliner: Remove rubber grommet from bottom panel to insert drain in liner through table. SandLock Waterliner sold separately.

Play sand: SandLock's 27" by 47" sandtable holds approximately 3 50-lb. bags of play sand. Sand not included.

Cleaning: Wipe clean with any all-purpose cleaner and towel.

Disassembly and storage: When it's time to take apart your SandLock Sandtable simply disassemble and store flat.

Please feel free to contact us at:
SandLock Sandbox
Toll Free: 1-866-963-9422
www.sandlock.com