

# 5' by 10'

SandLock Sandbox (SLB-60120)



Enjoy your SandLock Sandbox!

You have chosen America's #1 sandbox. With minimal care, your sandbox will look great and provide years of safe interactive fun.

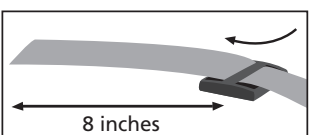
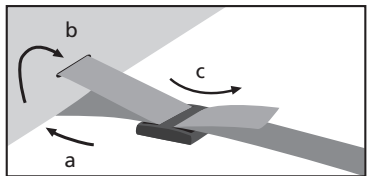
## Your SandLock Sandbox kit includes:

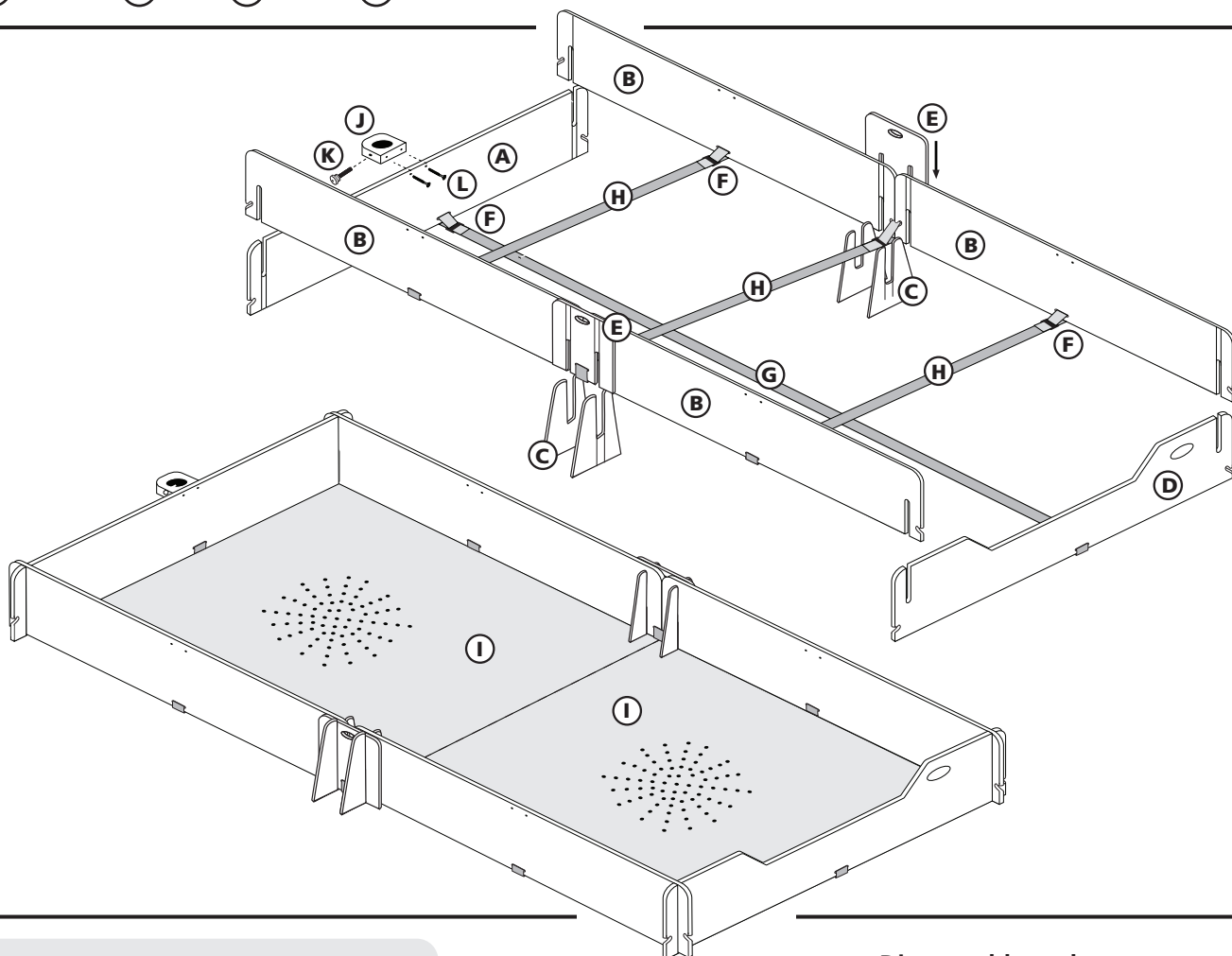
- (A)** Back Panel 1x
- (B)** Side Panel 4x
- (C)** Support Panel 2 sets (right, left)
- (D)** Front Panel 1x
- (E)** CouplerLock 2x
- (F)** Buckle 8x
- (G)** Long Nylon Webbing 1x
- (H)** Short Nylon Webbing 3x
- (I)** Bottom Panel 2x
- (J)** Umbrella Bracket 1x
- (K)** Umbrella Lock Screw 1x
- (L)** Screw 2x
- (M)** Allen Wrench 1x

## Pre-assembly

- When setting up your SandLock Sandbox begin by locating level ground where sandbox will be assembled.
- Place back (A), sides (B), and front panel (D) in designated positions in order of assembly. All undercuts should face the inside of the sandbox.

## Assembly

- Hold back panel (A) upright. Interlock 2 side panels (B) to back panel.
- Interlock left support panel (C) to the end of each side panel. Undercuts should face outward, smaller section of support panel should be on inside of sandbox.
- Repeat steps 1 and 2 for front panel (D).
- Interlock CouplerLock (E) into support brackets (C) to join side panels (B).
- Slide a buckle (F) on each end of nylon webbing (G & H) approximately 8 inches from end. Ensure that the flat side of buckle is facing down.
 
- Strap front and back panels (A & D) together with long nylon webbing (G)
  - place one end of webbing under the back panel (A),
  - bring end through slot, and
  - bring end through the buckle. Buckle should be approximately 2 inches from inside of panel.
- Repeat step 5 for front panel (D).
- Pull webbing taut between the two panels. Use caution not to overtighten, which can cause panels to bow inward.
- Repeat steps 5 and 7 using short nylon webbing (H) to strap side panels (B) in three places. Also, pull strap through interlock CouplerLock (E) where side panels join.
- Place bottom panels (I) inside sandbox. Ensure that webbing is not exposed.
- Pour in play sand (not included).
- Refer to enclosed seat kit instructions for seat kit assembly.



**Warning:** Please use caution when assembling your sandbox. Even with the simple construction, the panels are heavy. To avoid pinching, please keep your fingers clear of the intersections where the panels interlock.

**Umbrella bracket (J):** May be mounted at any of the pre-drilled top holes on either side panel (B) or the back panel (A). Choose the best location for shade desired. Attach with allen wrench (M). SandLock Umbrella sold separately.

**Seat assembly:** Refer to enclosed SandLock Seat Kit instructions.

**Play sand:** SandLock's 5' by 10' sandbox holds approximately 30 50-lb. bags of play sand. Sand not included.

**Cleaning:** Wipe clean with any all-purpose cleaner and towel.

**Disassembly and storage:** When it's time to take apart your SandLock Sandbox simply disassemble and store flat.

**Please feel free to contact us at:**  
 SandLock Sandbox  
 Toll Free: 1-866-963-9422  
[www.sandlock.com](http://www.sandlock.com)